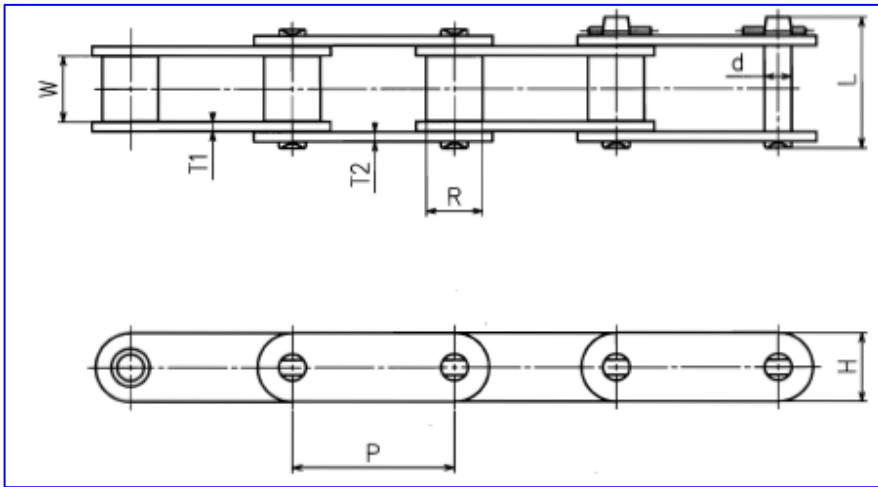


# OCM ECONOMICAL LINE

## MX2 81X CONVEYOR CHAIN



Chain No	Links in 1 meter or 10 feet	Weight kg per meter (lbs per 10 feet)	Average Ultimate Strength in kN/Lbs	P mm inch	L mm inch	R mm inch	d mm inch	H mm inch	W mm inch	T1 mm inch	T2 mm inch
81X	15 46	3.7 25	107 24000	66.3 2.609	54 2.126	23 0.906	11.1 0.437	28.5 1.122	27.32 1.076	4 0.157	4 0.157