

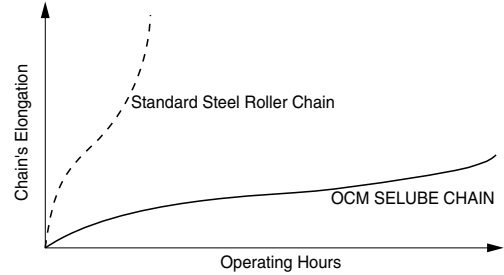
BS/DIN SELUBE CHAIN

OCM SELUBE CHAIN, being self-lubricating, provides excellent wear life, 8 to 30 times better than standard roller chain. ANSI and BS/DIN SELUBE CHAINS are available. SELUBE CHAIN is interchangeable with ANSI and BS/DIN standard roller chain. To prevent corrosion, pins are nickel plated and link plates are blackened.

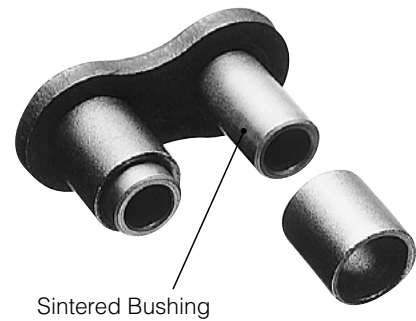
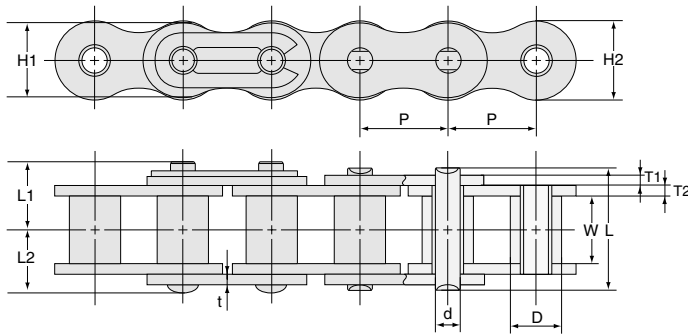
Operating temperature within a range of -10°C (14°F) to 150°C (302°F)
 Operating speed to be kept below 150m (490 feet) per minute

Advantages

- SELUBE CHAIN can be used where lubrication is prohibited or products should not be contaminated.
- No lubrication makes environment clean.
- Maintenance costs are reduced.
- Strength is almost the same as that of standard roller chain.
- Heat resistance up to 150°C.



Blackened Link Plate Nickel Plated Pin



Sintered Bushing

UNIT:mm

OCM Chain No.	Pitch P	Roller Diam. D	Width between L.P. W	Link Plate				Pin Diam. d	Pin			Ultimate Tensile Strength kN	Approx Weight kg
				H1	H2	T1	T2		L	L1	L2		
OCM 08BJ-SER	12.70	8.50	7.85	10.9	11.8	1.56	2.00	4.45	17.70	10.20	8.90	19.4	0.77
OCM 10BJ-SER	15.875	10.16	9.80	13.7	14.7	1.56	2.00	5.08	20.20	12.00	10.10	26.0	1.03
OCM 12BJ-SER	19.05	12.07	11.70	16.1	16.1	1.82	2.40	5.72	23.60	13.60	11.80	35.3	1.40

The Specifications described in this catalogue are subject to change without notice. Certified specifications will be furnished upon request.