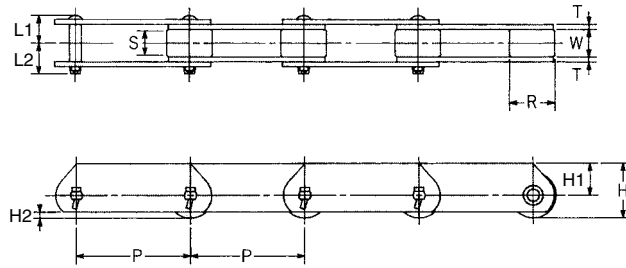


# DEEP LINK PLATE CONVEYOR CHAIN

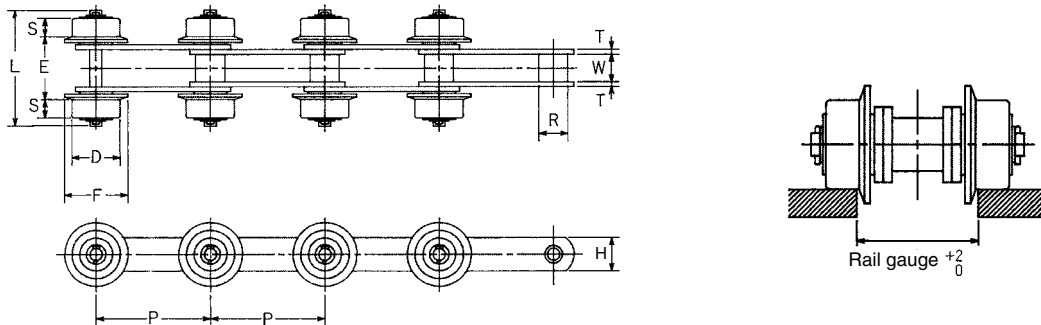


UNIT:mm

OCM Chain No.	Pitch P	R	S	Width between L.P. W	Link Plate				Pin		Weight kg/m	Allowable roller load				Average Breaking Load				
					H	H1	H2	T	L1	L2		Standard		Heavy Duty		Standard		Heavy Duty		
												kN/pc	kg/pc	kN/pc	kg/pc	kN	kgf	kN	kgf	
FMD 3075R	75										3.2									
FMD 3100R	100	30	15.5	18	36	21	4	3.2	18	20	2.8	0.59	60	0.88	90	29.41	3000	60.78	6200	
FMD 5100R	100										5.9									
FMD 5150R	150	40	19	22.2	44	24	4	4.5	24	27	4.9	0.93	95	1.47	150	68.63	7000	138.24	14100	
FMD10150R	150										9.7									
FMD10200R	200	50	26.5	30	57	32	6.4	6.3	32	36	8.5	1.57	160	2.6	265	112.75	11500	225.49	23000	
FED12600R	152.4	57.2	31.5	36.5	63.6	35	6.1	7.9	40	46	14	2.11	215	3.53	360	186.27	19000	277.45	28000	
FMD12200R	200										14.9									
FMD12250R	250	65	32	36.5	73.5	41	10	7.9	39.5	46	13.5	2.45	250	4.12	420	186.27	19000	277.45	28000	
FMD17250R	250										22.5									
FMD17300R	300	80	45.8	50.8	90	50	13.8	9.5	51	59.5	21.5	4.31	440	7.16	730	245.1	25000	392.16	40000	

# OUTBOARD CONVEYOR CHAIN

Base chain is FM type S roller conveyor chain with flange outboard roller. When ordering, please specify the spacing of outboard roller.



UNIT:mm

OCM Chain No.	Pitch P	R	Width between L.P. W	Link Plate		Outboard Roller			Pin		Rail gauge	*See below kg	Allowable outboard roller(both sides)				
				H	T	D	F	S	L	E			Not Heat treated		Heat treated		
													kN	kgf	kN	kgf	
FM 3075-S-SR	75																
FM 3100-S-SR	100	19.05	18	22	3.2	31.8	42	12	74	38	40	0.3	0.69	70	1.08	110	
FM 5075-S-SR	75																
FM 5100-S-SR	100	22.2	22.2	32	4.5	40	50	14	102	55	57	0.5	1.18	120	1.86	190	
FM 5150-S-SR	150																
FM10100-S-SR	100																
FM10150-S-SR	150	30	30	38	6.3	50	65	20	135.6	73	75	1	1.86	190	3.13	320	
FM12200-S-SR	200																
FM12250-S-SR	250	34.93	36.5	45	7.9	65	85	24	165	92.5	94.5	1.8	2.94	300	4.8	490	
FM17200-S-SR	200																
FM17250-S-SR	250	40.1	50.8	50.8	9.5	65	85	24	186	111.4	113.4	3.8	3.04	310	5.1	520	
FM17300-S-SR	300																

Note: \* Additional weight of one pair of outboard rollers.