

# OCM PLASTIC CHAIN

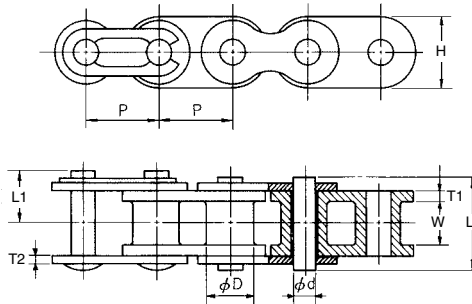
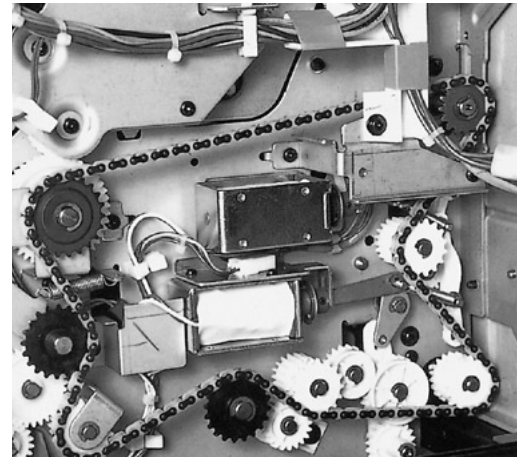
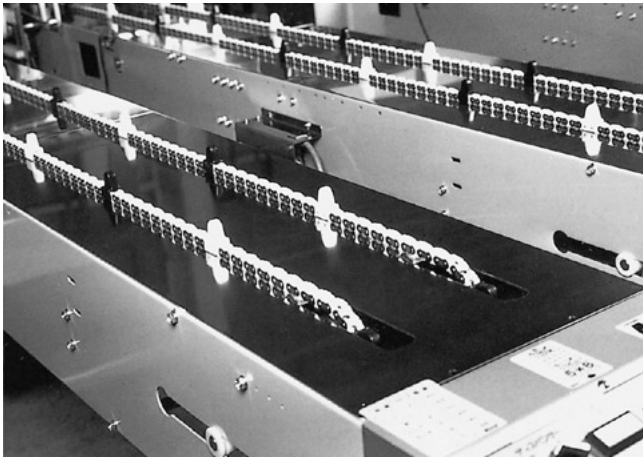
## PLAMATE CHAIN

Plamate chain is made up of plastic roller link with either stainless link plate and pin (PS) or nickel plated link plate and pin (PN).

No lubrication, clean and light in weight.

Usable in temperature up to 70°C from -10°C. The max chain speed should be less than 70m/min. No offset is available. Use even number of pitches.

Plamate can operate on ANSI standard sprockets.



TYPE PN & PS

UNIT Upper:inch  
Beneath:mm

OCM Chain No.	Pitch P	Roller Diam. D	Width between L.P. W	Link Plate			Pin Diam. d	Pin		Average Tensile Strength Lb/kgf	Allowable Load Lb/kgf	Approx Weight Lb/ft kg/m
				H	T1	T2		L	L1			
OCM 15PS-PN	0.188	0.098	0.094	0.173	0.055	0.022	0.064	0.291	0.185	106	15	0.037
	4.7625	2.48	2.38	4.4	1.40	0.57	1.62	7.4	4.7	48	7	0.056
OCM 25PS-PN	0.250	0.130	0.126	0.236	0.059	0.030	0.091	0.362	0.213	143	20	0.067
	6.35	3.30	3.2	6.0	1.5	0.75	2.30	9.2	5.4	65	9	0.10
OCM 35PS-PN	0.375	0.200	0.189	0.354	0.091	0.049	0.141	0.551	0.319	243	40	0.147
	9.525	5.08	4.8	9.0	2.3	1.25	3.58	14.0	8.1	110	18	0.22
OCM 40PS-PN	0.500	0.312	0.313	0.472	0.062	0.059	0.156	0.654	0.382	551	93	0.213
	12.70	7.92	7.95	12.0	1.6	1.5	3.96	16.6	9.7	250	42	0.32
OCM 50PS-PN	0.625	0.400	0.376	0.591	0.094	0.079	0.200	0.839	0.496	794	159	0.400
	15.875	10.16	9.55	15.0	2.4	2.00	5.08	21.3	12.6	360	72	0.60
OCM 60PS-PN	0.750	0.469	0.500	0.709	0.126	0.094	0.234	1.075	0.606	1,257	207	0.574
	19.05	11.91	12.70	18.0	3.2	2.40	5.95	27.3	15.4	570	94	0.86

Material:

	Link plate	Pin	Roller Link
PN	Carbon steel Nickel plated	Alloy steel Nickel plated	Plastic
PS	Stainless steel SUS 304	Stainless steel SUS 304	Plastic