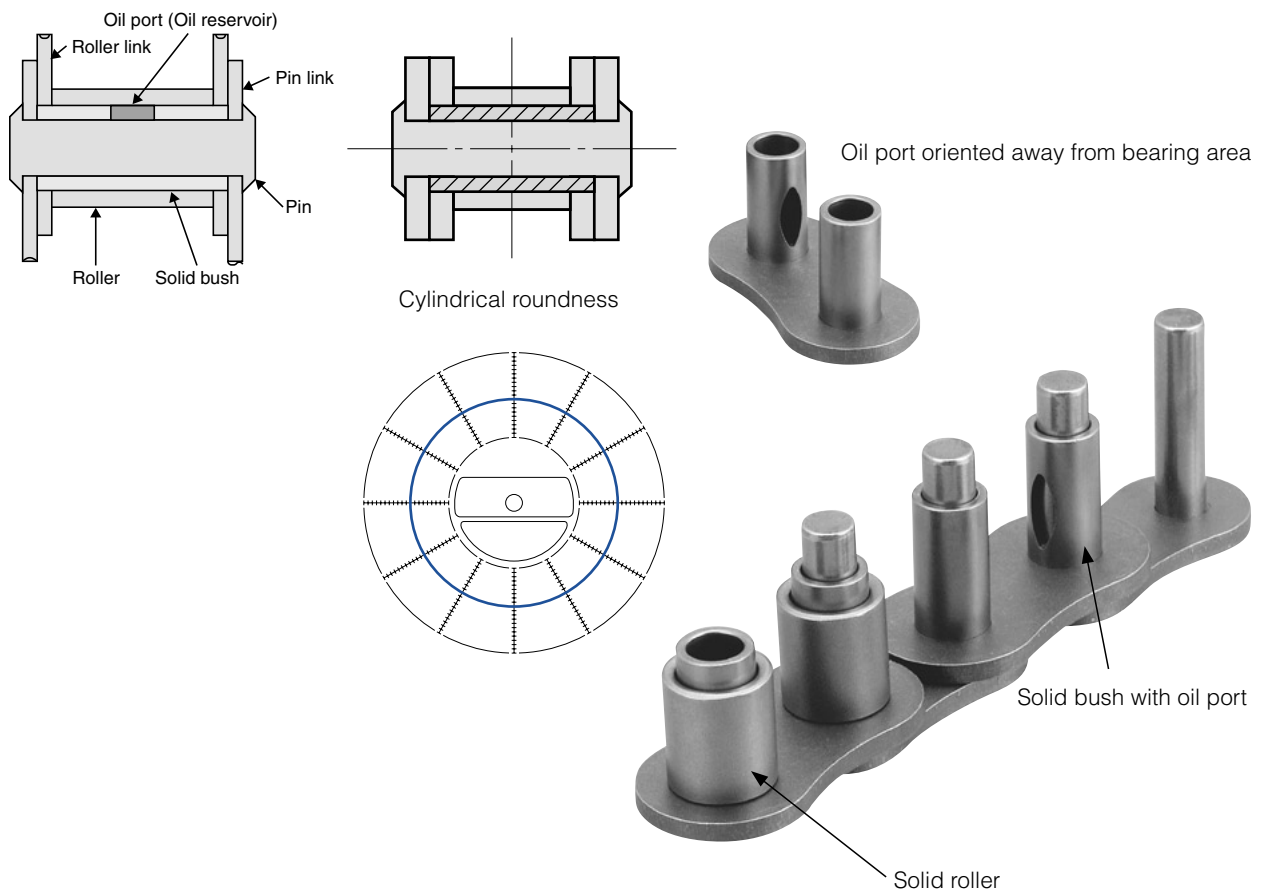


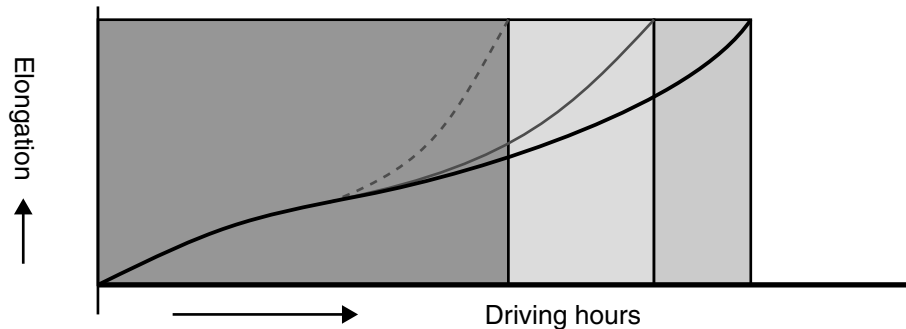
# OCM ROLLER CHAIN

## OSB SERIES ROLLER CHAIN

OCM introduces, OSB Series, oil port oriented solid bush roller chain with solid roller. Over 30 years' experience of manufacturing oil port roller chain made this possible. It incorporates the advantage of solid bush, cylindrical roundness, making a large bearing area and oil port as oil reservoir. The large bearing area and oil port, acting as an oil reservoir, improve the wear resistance and prolong the chain life by 30% as compared with solid bush chain without oil port under no lubricating condition.

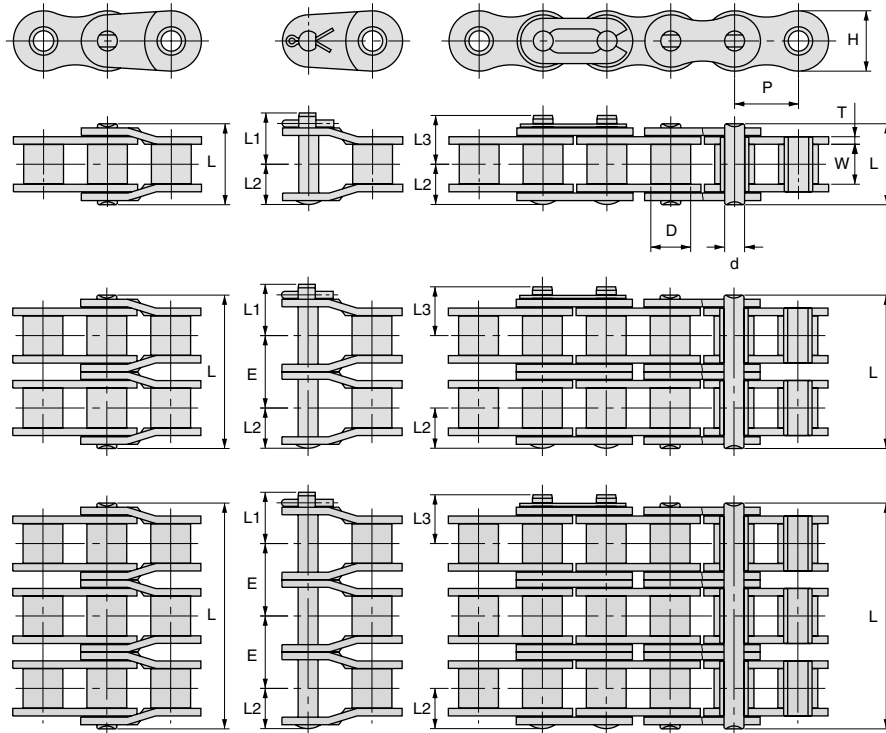


----- Split bush without oil port    ——— Solid bush without oil port    ——— Solid bush with oil port



Data are based on OCM's test.

# OSB SERIES ROLLER CHAIN



UNIT:inch

OCM Chain No.	Pitch	Roller Diam.	Width between L.P.	Link Plate		Pin Diam.	Pin				Trans Pitch	Average Tensile Strength	Max. Working Load	Approx Weight
	P	D	W	H	T	d	L	L1	L2	L3	E	Lbs	Lbs	Lbs/ft
OSB 40-1							0.634					4,290	860	0.44
OSB 40-2	0.500	0.312	0.313	0.472	0.059	0.156	1.201	0.402	0.319	0.382	0.567	8,590	1,450	0.87
OSB 40-3							1.772					12,880	2,130	1.30
OSB 50-1							0.799					7,160	1,380	0.73
OSB 50-2	0.625	0.400	0.376	0.591	0.079	0.200	1.512	0.476	0.409	0.476	0.713	14,330	2,350	1.43
OSB 50-3							2.228					21,400	3,460	2.14
OSB 60-1							1.000					9,920	2,090	1.08
OSB 60-2	0.750	0.469	0.500	0.709	0.094	0.234	1.898	0.598	0.500	0.579	0.898	19,840	3,540	2.08
OSB 60-3							2.799					29,760	5,220	3.09
OSB 80-1							1.287					17,630	3,630	1.88
OSB 80-2	1.000	0.625	0.626	0.949	0.126	0.313	2.445	0.776	0.709	0.740	1.154	35,270	6,180	3.76
OSB 80-3							3.598					52,900	9,090	5.58
OSB 100-1							1.571					26,450	5,510	2.82
OSB 100-2	1.250	0.750	0.754	1.185	0.157	0.375	2.980	0.925	0.846	0.787	1.409	52,900	9,370	5.64
OSB 100-3							4.394					79,360	13,770	8.40
OSB 120-1							1.972					37,030	7,270	4.17
OSB 120-2	1.500	0.875	1.006	1.425	0.189	0.437	3.764	1.118	1.071	0.988	1.787	74,070	12,360	8.20
OSB 120-3							5.551					111,110	18,180	12.30
OSB 140-1							2.134					48,720	9,700	5.17
OSB 140-2	1.750	1.000	1.004	1.661	0.220	0.500	4.063	1.252	1.150	1.067	1.925	97,440	16,490	10.15
OSB 140-3							5.988					146,160	24,250	15.19
OSB* 160-1							2.476					60,180	12,120	6.65
OSB* 160-2	2.000	1.125	1.262	1.898	0.252	0.563	4.780	1.437	1.378	1.236	2.303	120,370	20,610	13.17
OSB* 160-3							7.083					180,550	30,310	19.69
OSB* 200-1							3.063					101,410	15,870	11.09
OSB* 200-2	2.500	1.562	1.512	2.374	0.315	0.781	5.882	1.811	1.681	1.531	2.819	202,820	26,980	21.84
OSB* 200-3							8.701					304,230	39,680	32.66
OSB* 240-1							3.717					149,910	21,820	16.66
OSB* 240-2	3.000	1.875	1.902	2.850	0.374	0.937	7.173	2.157	2.043	1.858	3.457	299,820	37,100	32.93
OSB* 240-3							10.630					449,740	54,560	49.12

Connecting link for 40 through 60 is spring clip. Spring clip and cotter for 80 are available. Cotter type for 100 through 240.  
 \*Indicates roller chain with solid bush but without oil port.