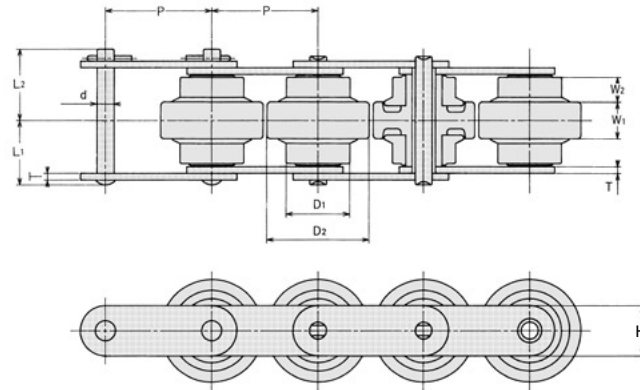


BAI-SPEED CHAIN

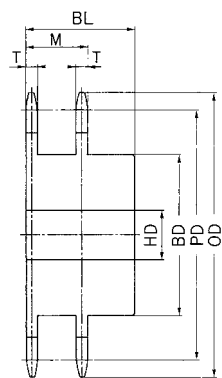
Roller Specifications.

Combination Code	VS-A	VS-B	VS-C	VS-D
Features	Standard type Large allowable tension	Standard type High friction type Quick start-up and less noise	Electro conductive Large allowable tension	Electro conductive High friction type Quick start-up



UNIT:mm

OCM Chain No.	Pitch P	Roller Diam.		Roller Width		Plate		Pin			Material	Allowable Tension		Approx Weight kg/m
		D1	D2	W1	W2	H	T	d	L1	L2		Roller A. C kgf	Roller B.D kgf	
C2040-VS	25.4	15.88	25.0	9.3	6.1	12.0	1.5	3.96	15.25	17.65	Carbon	90	45	1.0
												45	45	
C2050-VS	31.75	19.05	30.6	11.0	7.6	15.0	2.0	5.08	19.2	21.4	Carbon	140	70	1.3
												70	70	
C2060-VS	38.1	22.23	36.6	15.0	8.2	17.2	3.2	5.95	24.3	26.5	Carbon	210	105	2.3
												105	105	



UNIT:mm

OCM Chain No.	Type	Number of teeth	PD	OD	Link Plate T	HD	BD	BL	M	Material	Weight kg
C2040-VS	B	10	82.2	93	4	17	52	40	20.4	S43C	0.8
C2050-VS	B	10	102.75	117	5	20	66	45	25.5	S43C	1.5
C2060-VS	B	10	123.3	137	6	20	81	50	30.5	S43C	2.5