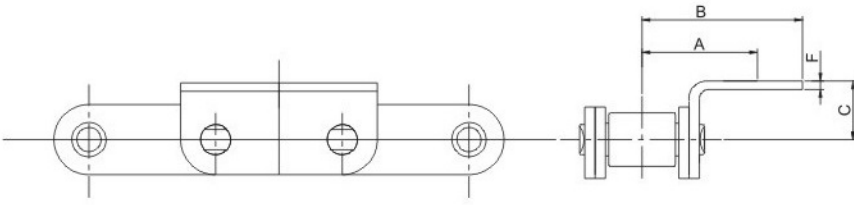
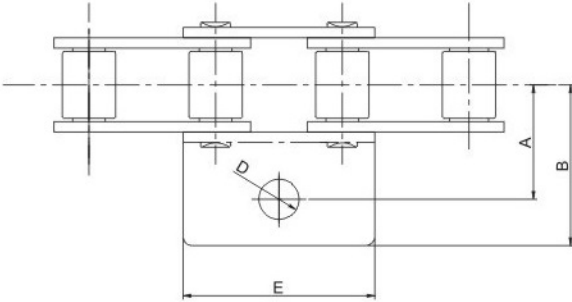


# AGRICULTURAL CHAINS



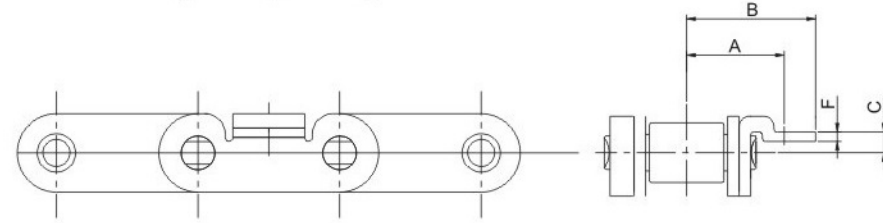
CA551X / A4 ATTACHMENT

ATT. NO.	Chain NO.	A	B	C	D	E	F
A4	CA551X	37.3	52.4	19.1	13.1	69.9	5.0



CA550 / A1D ATTACHMENT

ATT. NO.	Chain NO.	A	B	C	D	E	F
A1D	CA550	37.3	47.6	6.4	8.73	19.1	2.67



CA550 / A1,A11,A17,A20,A22  
CA620 / A1,A1S ATTACHMENT

ATT. NO.	Chain NO.	A	B	C	D	E	F
A1	CA550	25.4	37.7	10.7	6.75	22.2	2.67
A11	CA550	25.4	37.7	10.7	9.92	22.2	2.67
A17	CA550	27.0	38.1	12.7	6.75	22.2	2.67
A20	CA550	25.4	38.1	12.7	6.75	22.2	2.67
A22	CA550	27.0	38.1	12.7	9.53	22.2	2.67
A1	CA620	31.4	40.1	11.51	6.75	22.2	3.18
A1S	CA620	31.4	40.1	11.51	8.33	22.2	3.18