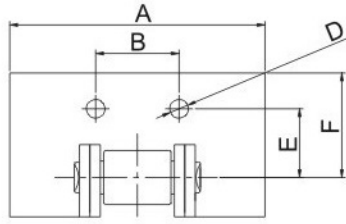
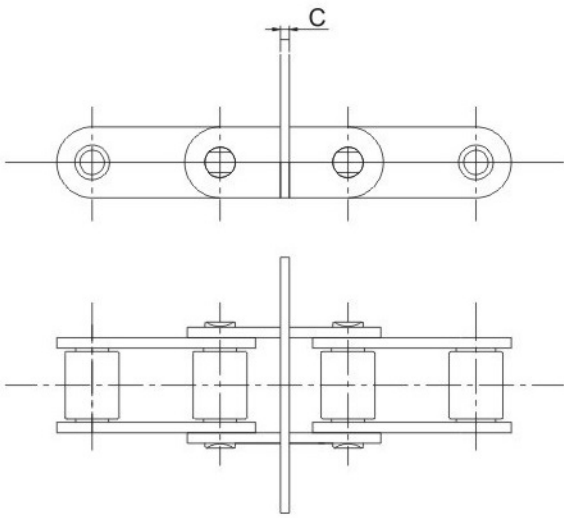
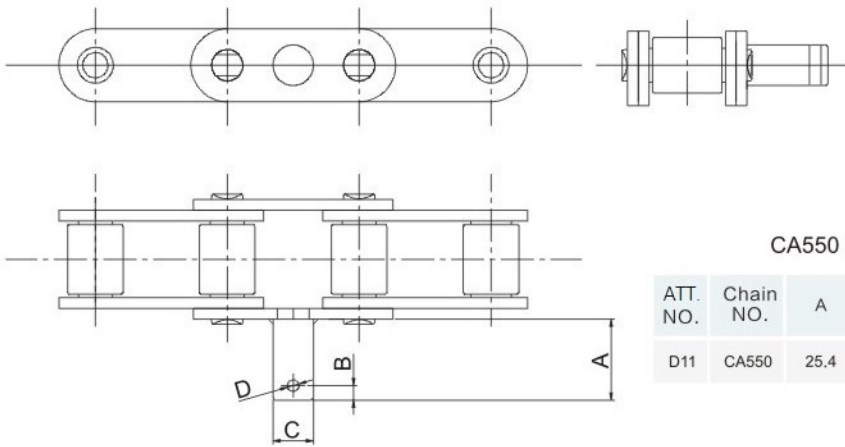


AGRICULTURAL CHAINS



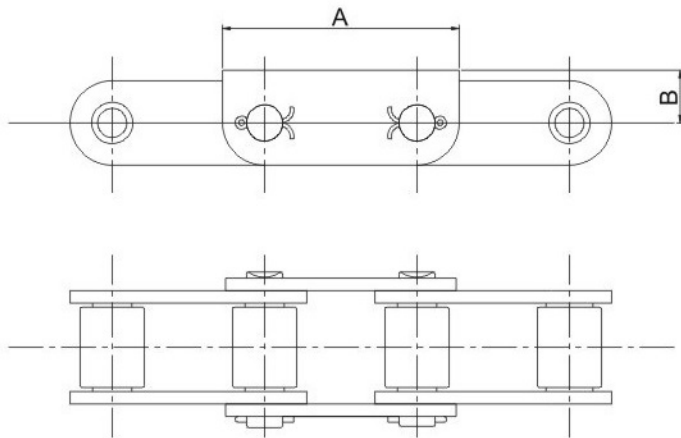
CA550 / F2 ATTACHMENT

ATT. NO.	Chain NO.	A	B	C	D	E	F
F2	CA550	82.6	27.0	4.75	5.95	22.2	34.9



CA550 / D11 ATTACHMENT

ATT. NO.	Chain NO.	A	B	C	D
D11	CA550	25.4	4.8	12.7	3.57



CA550 / M1W ATTACHMENT

ATT. NO.	Chain NO.	A	B	C
M1W	CA550	60.3	14.3	2.67