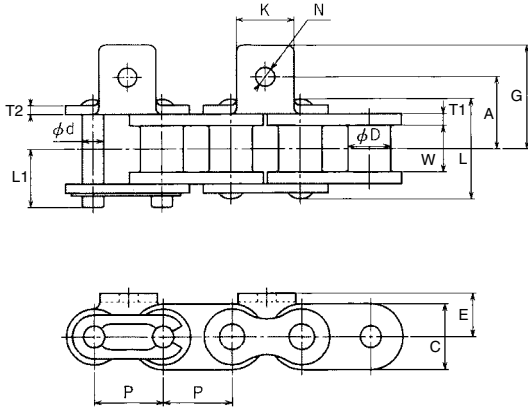
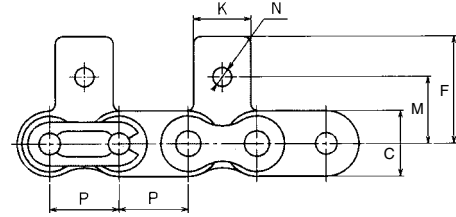
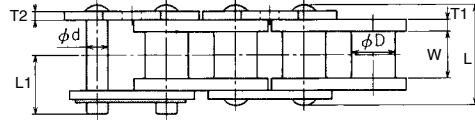


PLAMATE CHAIN WITH ATTACHMENT

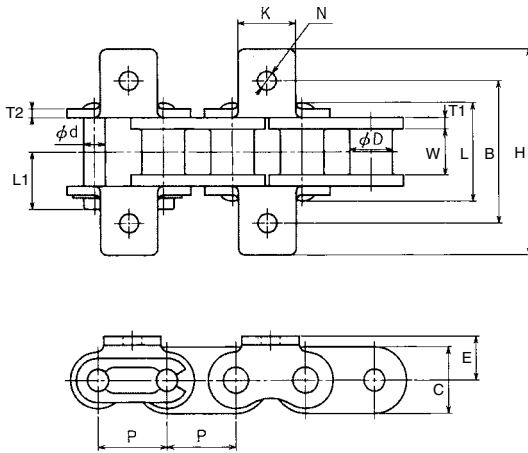
Chain can operate on ANSI standard sprockets.



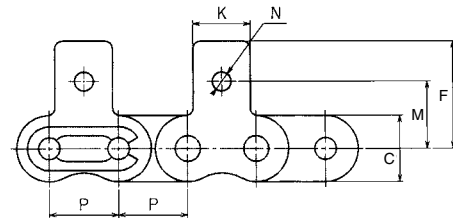
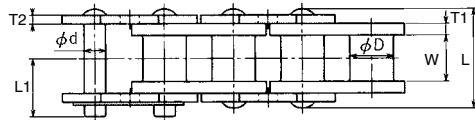
TYPE A-1



TYPE SA-1



TYPE K-1



TYPE SK-1

UNIT Upper:inch
Beneath:mm

OCM Chain No.	A TYPE					K TYPE		SA SK TYPE		Additional Weight per one att Lb/kg	
	K	N	A	E	G	B	H	M	F	A. SA	K. SK
OCM 25PS-PN	0.22 5.6	0.134 3.4	0.309 7.85	0.187 4.75	0.417 10.6	0.618 15.7	0.835 21.2	0.313 7.95	0.459 11.65	0.0007 0.0003	0.0013 0.0006
OCM 35PS-PN	0.311 7.9	0.134 3.4	0.411 10.45	0.25 6.35	0.545 13.85	0.823 20.9	1.091 27.7	0.374 9.5	0.579 14.7	0.0018 0.0008	0.0035 0.0016
OCM 40PS-PN	0.374 9.5	0.142 3.6	0.5 12.7	0.315 8	0.691 17.55	1 25.4	1.382 35.1	0.5 12.7	0.75 19.05	0.0022 0.001	0.0044 0.002
OCM 50PS-PN	0.5 12.7	0.205 5.2	0.638 16.2	0.406 10.3	0.921 23.4	1.276 32.4	1.843 46.8	0.628 15.95	0.994 25.25	0.0088 0.004	0.0176 0.008
OCM 60PS-PN	0.626 15.9	0.205 5.2	0.776 19.7	0.469 11.9	1.12 28.45	1.551 39.4	2.24 56.9	0.721 18.3	1.155 29.33	0.0154 0.007	0.0309 0.014

Note: Offset is not available. Use even number of pitches.
Attachment is placed only on outside link.