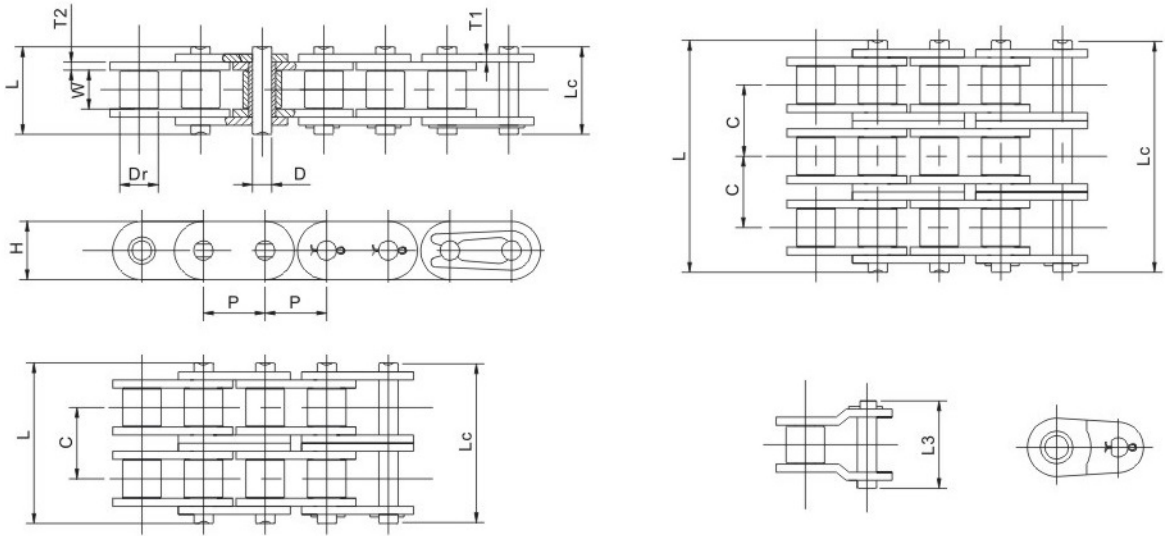


ROLLER CHAINS WITH STRAIGHT SIDE PLATES (B SERIES)



ISO Chain NO.	Pitch	Roller Diameter	Width Between Inner Plates	Pin Diameter	Plate Thickness		Plate Depth	Pin Length			Transverse Pitch	Average Tensile Strength	ISO Tensile Strength min	Weight Per Meter
	P	Dr max	W min	D max	T1 max	T2 max	H max	L max	Lc max	L3 max	C	KN	KN	Kg/m
	mm	mm	mm	mm	mm	mm	mm	mm	mm	mm	mm			
C08B-1 C08B-2 C08B-3	12.7	8.51	7.75	4.45	1.6	1.6	11.81	17.00 31.00 44.90	18.50 32.50 46.40	18.50 33.80 47.80	13.92	18.60 35.00 48.80	17.80 31.10 44.50	0.86 1.66 2.46
C10B-1 C10B-2 C10B-3	15.875	10.16	9.65	5.08	1.7	1.7	14.73	19.65 36.20 52.80	21.05 37.65 54.20	21.35 39.65 56.30	16.59	25.60 50.20 75.80	22.20 44.50 66.70	1.20 2.34 3.60
C12B-1 C12B-2 C12B-3	19.05	12.07	11.68	5.72	1.85	1.85	16.13	22.70 42.20 61.70	24.35 43.80 63.30	25.05 46.50 66.20	19.46	30.30 60.30 91.00	28.90 57.80 86.70	1.46 2.93 4.45
C16B-1 C16B-2 C16B-3	25.40	15.88	17.02	8.28	3.10	4.15	21.08	36.10 68.00 99.90	37.95 69.90 101.80	39.05 73.90 106.00	31.88	68.80 136.00 205.60	60.0 106.0 160.0	3.10 6.22 9.20
C20B-1 C20B-2 C20B-3	31.75	19.05	19.56	10.19	3.7	4.6	26.42	43.20 79.70 116.40	44.67 81.07 117.40	48.57 86.57 123.15	36.45	108.60 208.40 285.30	95.00 170.00 250.00	4.56 9.06 13.50
C24B-1 C24B-2 C24B-3	38.1	25.40	25.40	14.63	5.2	6.0	33.4	53.40 101.80 150.20	58.20 106.65 155.20	62.30 112.95 161.50	48.36	176.80 322.60 489.50	160.00 280.00 425.00	8.63 16.84 25.00
C28B-1 C28B-2 C28B-3	44.45	27.94	30.99	15.90	6.3	7.5	37.08	65.10 124.70 184.30	70.00 129.57 189.17	74.60 136.97 196.57	59.56	223.60 407.50 610.00	200.00 360.00 530.00	10.96 21.60 21.39
C32B-1 C32B-2 C32B-3	50.8	29.21	30.99	17.81	6.3	7.0	42.29	67.40 126.00 184.50	71.40 129.97 188.50	75.10 136.87 195.40	58.55	278.20 510.30 771.20	250.00 450.00 670.00	11.81 23.16 34.46