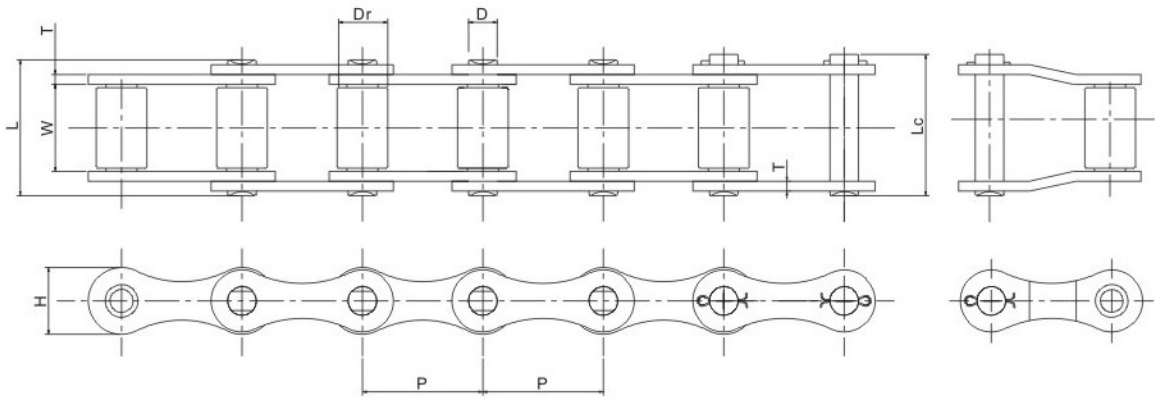
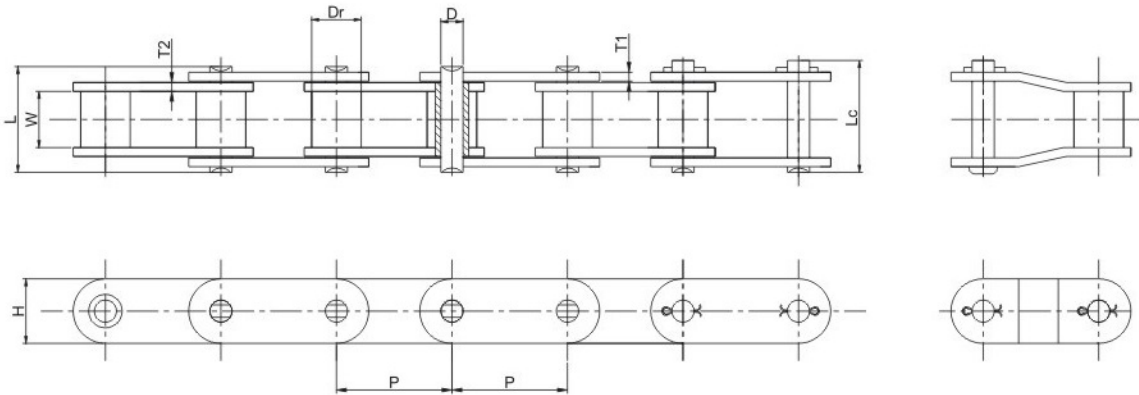


AGRICULTURAL CHAINS(CA SERIES)



Chain No.	Pitch	Roller Diameter	Width Between Inner Plates	Pin Diameter	Pin Length		Inner Plate Depth	Plate Thickness	Ultimate Tensile Strength	Average Tensile Strength	Weight Per Meter
	P	Dr max	W min	D max	L max	Lc max	H max	T max	min	KN	Kg/m
	mm	mm	mm	mm	mm	mm	mm	mm	KN	KN	Kg/m
A550	41.40	16.66	20.22	7.14	34.93	37.35	19.05	2.67	37.81	50.00	1.60
A555	41.40	16.66	12.70	7.14	29.37	31.80	19.05	3.18	37.81	50.00	1.50
A557	41.40	17.78	20.14	7.94	37.60	40.0	19.05	3.18	55.6	60.0	2.35
A620	42.01	17.68	24.99	7.14	41.67	44.10	19.05	3.18	37.81	53.00	2.10



Chain NO.	Pitch	Bush Diameter	Width Between Inner Plate	Pin Diameter	Pin Length		Plate Thickness	Plate Thickness		Ultimate Tensile Strength	Weight Per Meter
	P	Dr max	W min	D max	max	Lc max	H max	T1 max	T2 max	min	Kg/m
	mm	mm	mm	mm	mm	mm	mm	mm	mm	KN	Kg/m
CA550	41.4	16.7	19.81	7.16	35.3	38.2	19.05	2.7	2.7	39.8	1.94
CA555	41.4	16.86	12.5	7.19	30.35	33.48	20.17	3.18	3.18	39.8	1.72
CA557	41.4	17.78	20.14	7.94	37.6	40.0	23.1	3.18	3.18	55.6	2.60
CA620	42.01	17.68	25.07	7.16	41.5	45.0	19.05	3.15	3.15	39.1	2.35
38.4V	38.4	15.88	19.0	6.92	35.1	38.4	17.2	3.0	3.0	36.0	1.83
38.4VB	38.4	15.88	19.0	8.28	35.8	38.8	20.5	3.0	3.0	40.0	2.17
38.4R	38.4	15.88	19.05	6.92	33.6	36.6	17.3	2.5	2.5	33.0	1.7
CA550H	41.4	16.7	19.81	7.16	36.18	39.0	19.05	3.0	3.0	39.8	2.24
CA2060H	38.1	11.91	12.7	5.94	28.8	31.7	18.0	3.25	3.25	31.1	1.45
CA550HD	41.4	16.7	19.48	8.28	36.8	39.6	19.8	3.0	3.0	45.0	2.15
CA550V	41.4	16.81	19.05	8.28	36.1	39.1	22.0	3.0	3.0	55.0	2.24
CA645	41.4	17.78	22.2	8.28	41.0	43.8	22.2	3.0	3.8	60.5	2.5
CA413	41.3	16.0	22.23	8.28	39.0	42.0	23.5	3.0	3.0	50.0	2.3
CA550/S55	41.4	17.78	21.6	7.16	36.7	39.3	23.5	2.7	2.7	39.1	2.1