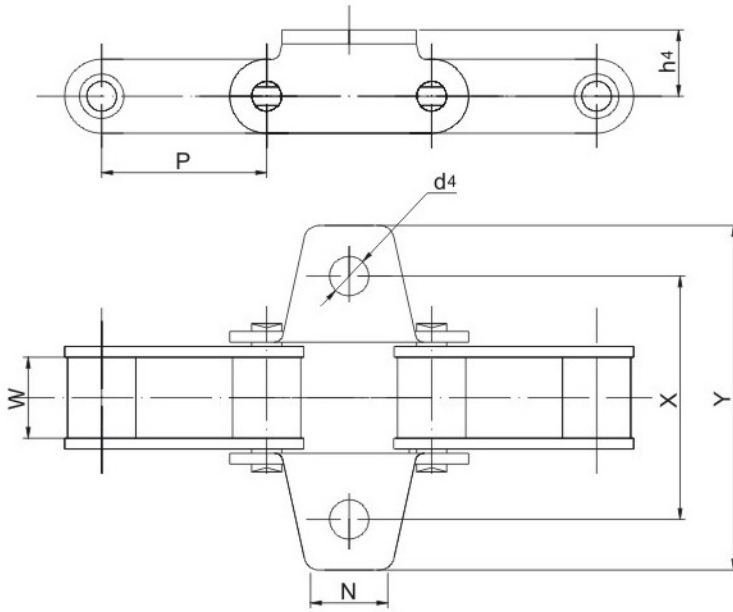
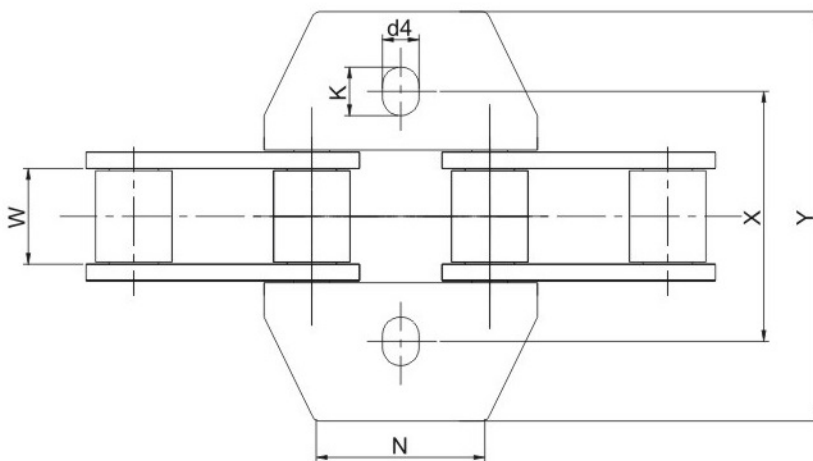
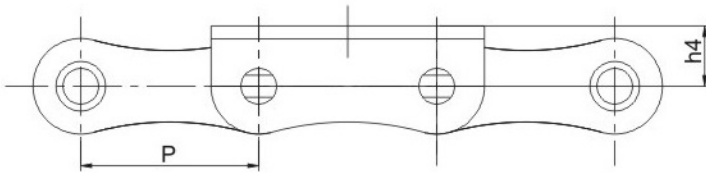


AGRICULTURAL CHAINS(CA SERIES)



| Chain NO. | P | W | N | d4 | X | Y | h4 |
|-----------|------|------|------|-----|------|------|------|
| | mm | mm | mm | mm | mm | mm | mm |
| V384220A | 38.4 | 19.0 | 20.0 | 9.1 | 57.5 | 81.0 | 15.4 |



| Chain NO. | P | W | N | X | Y | h4 | d4 | K |
|-----------|------|-------|------|------|------|------|-----|-------|
| | mm | mm | mm | mm | mm | mm | mm | mm |
| CA645A103 | 41.4 | 22.20 | 40.0 | 58.0 | 95.0 | 14.0 | 8.5 | 11.25 |