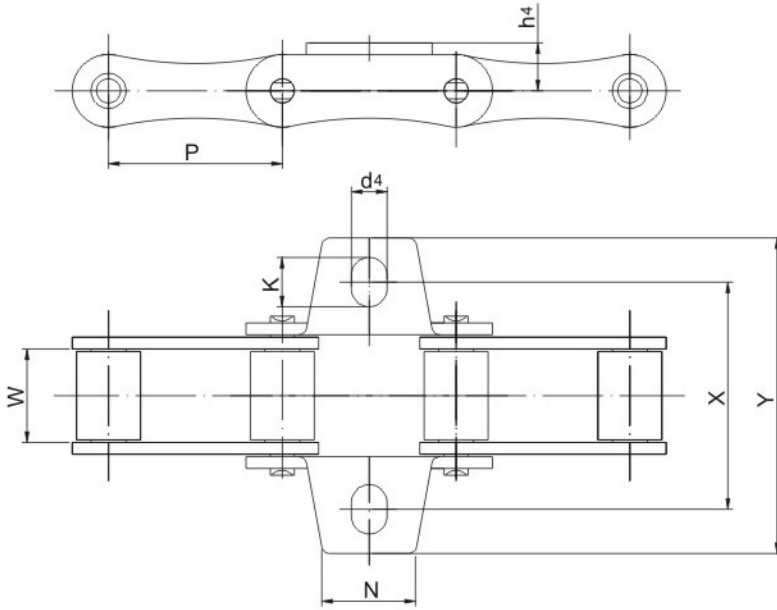
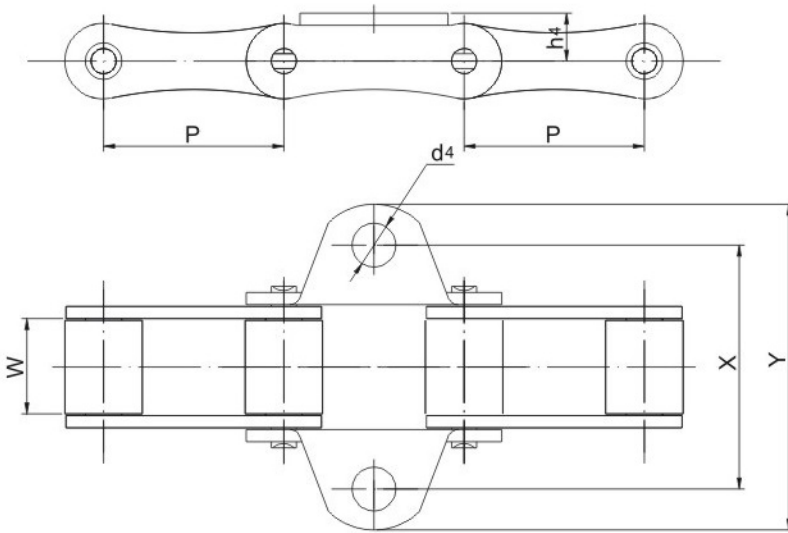


STEEL AGRICULTURAL CHAINS(S SERIES)



Chain NO.	P	W	N	d4	K	X	Y	h4
	mm	mm	mm	mm	mm	mm	mm	mm
S45K1	41.4	22.23	22.0	8.5	11.7	54.0	75.0	11.4
S52K1	38.1	22.23	22.2	8.5	10.0	58.1	77.4	11.4
S62K1	41.91	25.4	22.0	8.3	14.7	66.8	95.4	11.4
S88K1	66.27	28.58	22.0	8.3	9.9	97.0	119.4	20.8
S52K1F1	38.1	22.23	19.0	8.3	9.9	58.8	78.0	11.4



Chain NO.	P	W	d4	X	Y	h4
	mm	mm	mm	mm	mm	mm
S55K1	41.4	22.23	10.0	55.9	74.64	11.0