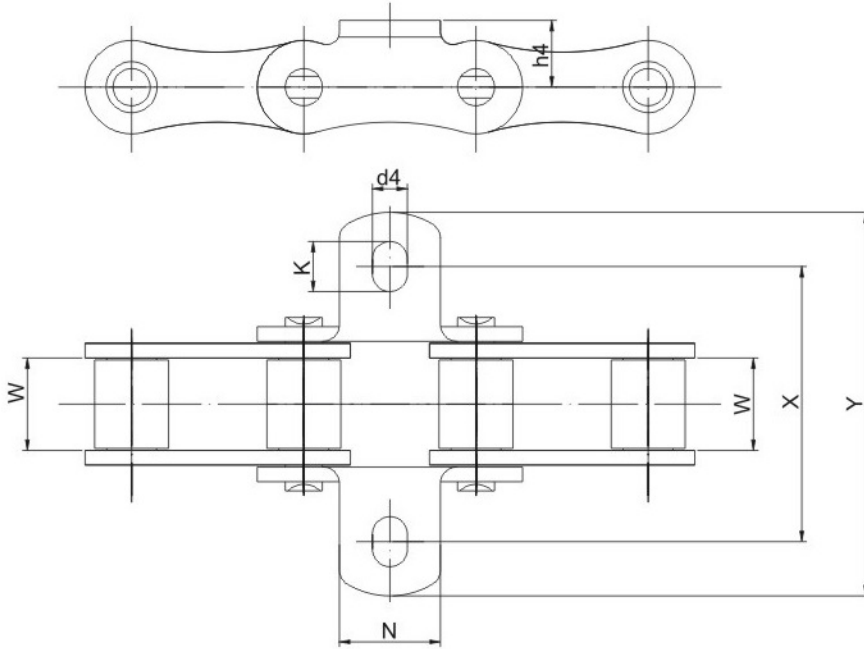
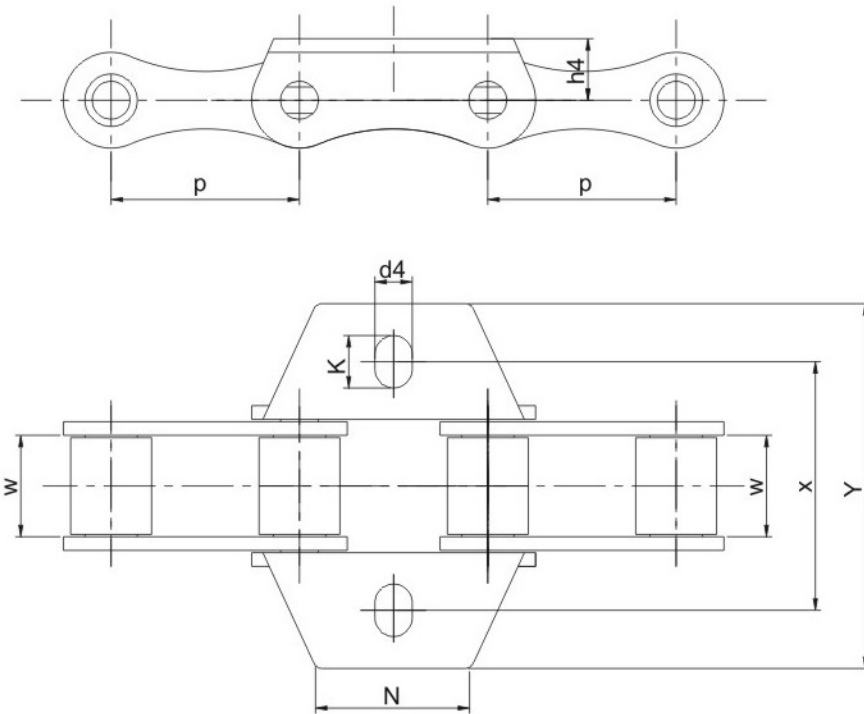


STEEL AGRICULTURAL CHAINS(S SERIES)



Chain NO.	P	W	N	d4	K	X	Y	h4
	mm	mm	mm	mm	mm	mm	mm	mm
S55RHK1	41.4	22.23	24.3	8.4	12.0	66.0	92.0	16.0



Chain NO.	P	W	N	X	Y	h4	d4	K
	mm	mm	mm	mm	mm	mm	mm	mm
S55HK1	41.4	22.23	34.0	54.5	80.0	13.5	8.2	11.5