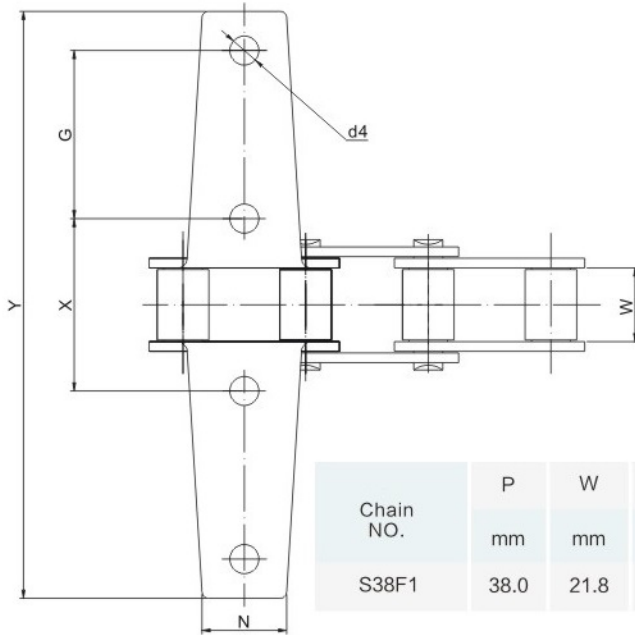
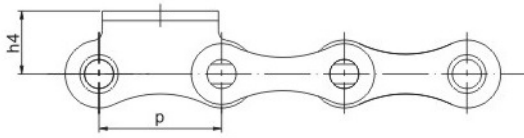
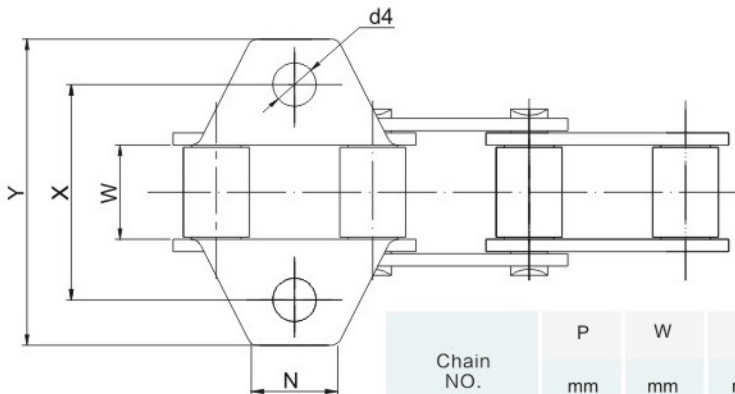
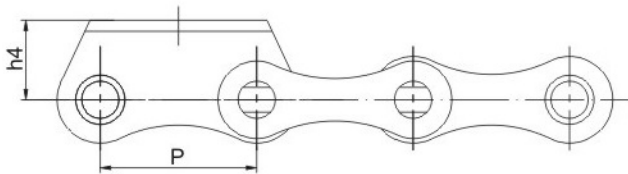


STEEL AGRICULTURAL CHAINS(S SERIES)



Chain NO.	P	W	N	d4	G	X	Y	h4
	mm	mm	mm	mm	mm	mm	mm	mm
S38F1	38.0	21.8	26.0	9.0	52.0	53.3	181.5	19.5



Chain NO.	P	W	N	d4	X	Y	h4
	mm	mm	mm	mm	mm	mm	mm
S38K1F2	38.0	21.8	21.0	8.5	52.2	75.0	19.3