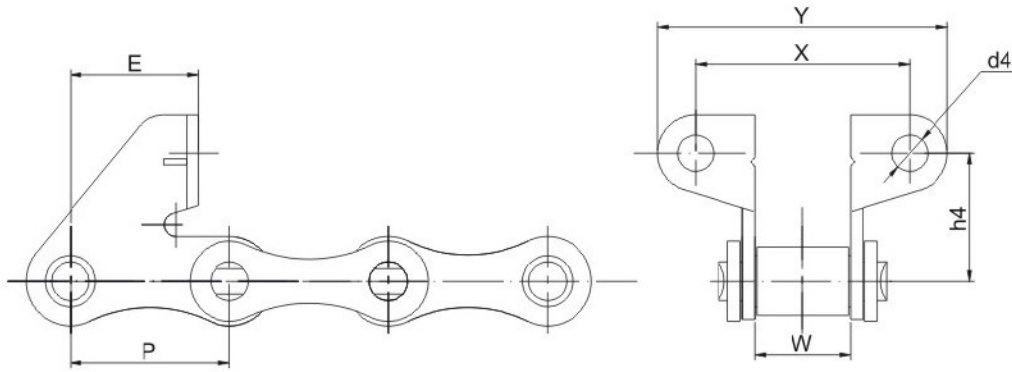
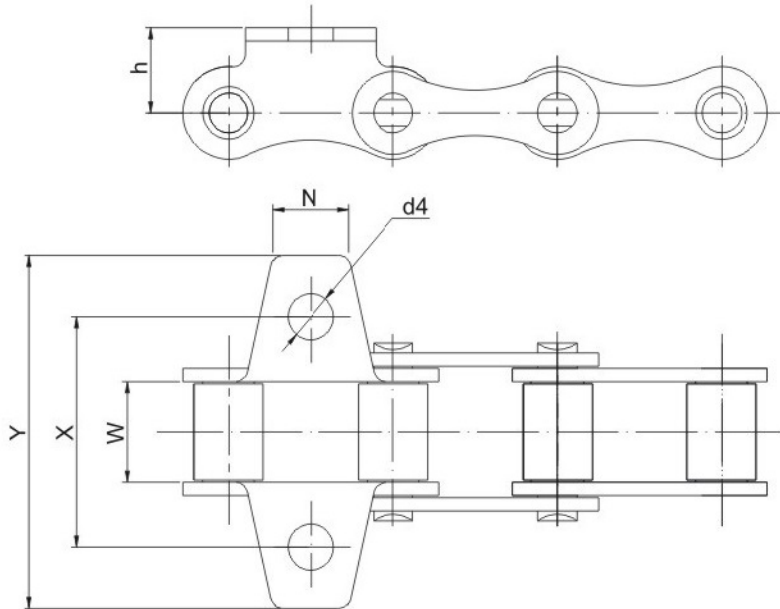


STEEL AGRICULTURAL CHAINS(S SERIES)



Chain NO.	P	W	E	d4	X	Y	h4
	mm	mm	mm	mm	mm	mm	mm
S38ST	38.0	21.8	30.5	8.4	52.0	68.7	30.0



Chain NO.	P	W	N	d4	X	Y	h4
	mm	mm	mm	mm	mm	mm	mm
S38K1	38.0	21.8	21.0	10.5	52.2	75.0	19.3