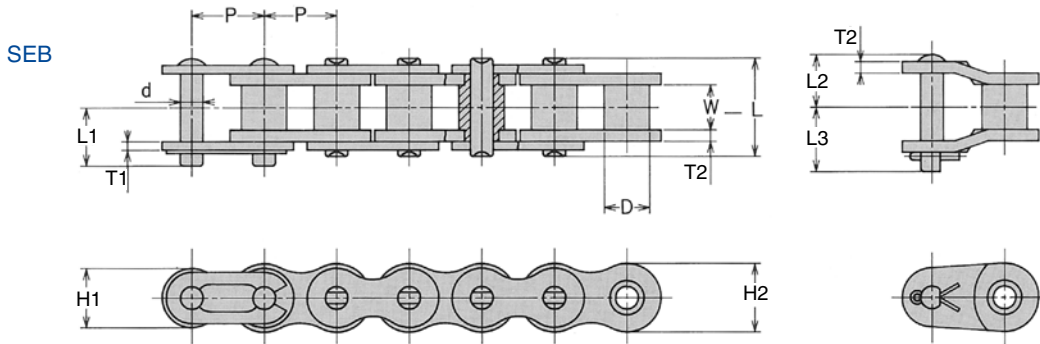
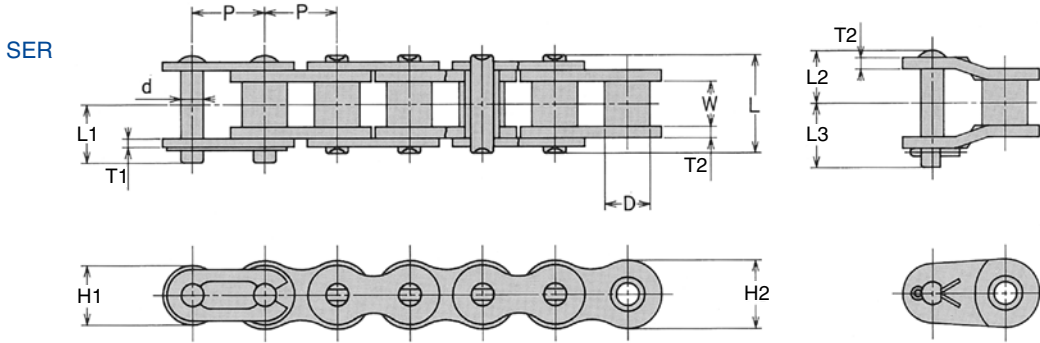


SELUBE CHAIN



40J-SEB-60J-SEB



40J-SER~120J-SER

UNIT Upper:inch
Beneath:mm

OCM Chain No.	Pitch P	Roller Diam. D	Width between L.P. W	Link Plate				Pin Diam. d	Pin				Average Tensile Strength Lb/kgf	Max Allowable Load Lb/kgf	Approx Weight Lb/ft kg/m
				H1	H2	T1	T2		L	L1	L2	L3			
40J-SER	0.500	0.312	0.311	0.409	0.472	0.059	0.079	0.156	0.681	0.402	0.362	0.445	4,299	860	0.48
40J-SEB	12.70	7.92	7.90	10.40	12.00	1.50	2.00	3.96	17.30	10.20	9.20	11.30	1,950	390	0.72
50J-SER	0.625	0.400	0.374	0.512	0.591	0.080	0.094	0.200	0.835	0.496	0.429	0.520	7,165	1,389	0.77
50J-SEB	15.875	10.16	9.50	13.00	15.00	2.00	2.40	5.08	21.20	12.60	10.90	13.20	3,250	630	1.14
60J-SER	0.75	0.469	0.500	0.602	0.709	0.094	0.126	0.234	1.079	0.61	0.571	0.669	9,921	2,094	1.17
60J-SEB	19.05	11.91	12.70	15.30	18.00	2.40	3.20	5.95	27.40	15.50	14.50	17.00	4,500	950	1.74
80J-SER	1.000	0.625	0.626	0.819	0.949	0.126	0.157	0.313	1.354	0.776	0.768	0.839	17,637	3,638	2.02
	25.40	15.88	15.90	20.80	24.10	3.20	4.00	7.94	34.40	19.70	19.50	21.30	8,000	1,650	3.00
100J-SER	1.250	0.750	0.754	1.024	1.185	0.157	0.189	0.375	1.634	0.957	0.913	0.992	26,455	5,512	2.96
	31.75	19.05	19.15	26.00	30.10	4.00	4.80	9.53	41.50	24.30	23.20	25.20	12,000	2,500	4.40
120J-SER	1.500	0.875	1.006	1.228	1.425	0.189	0.22	0.437	2.035	1.15	1.138	1.185	37,479	7,275	4.30
	38.10	22.23	25.55	31.20	36.20	4.80	5.60	11.11	51.70	29.20	28.90	30.10	17,000	3,300	6.40